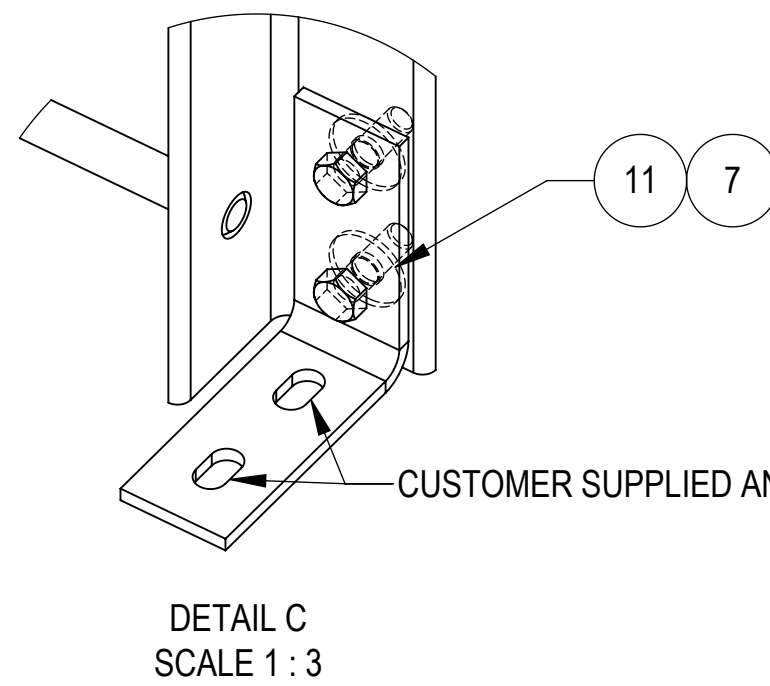
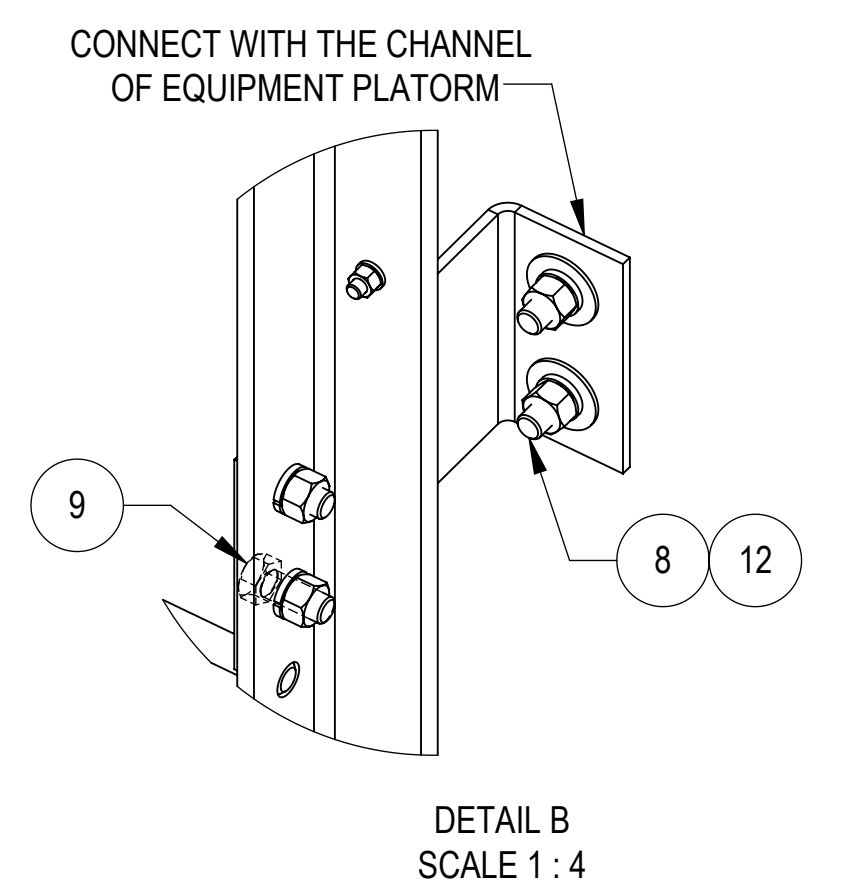
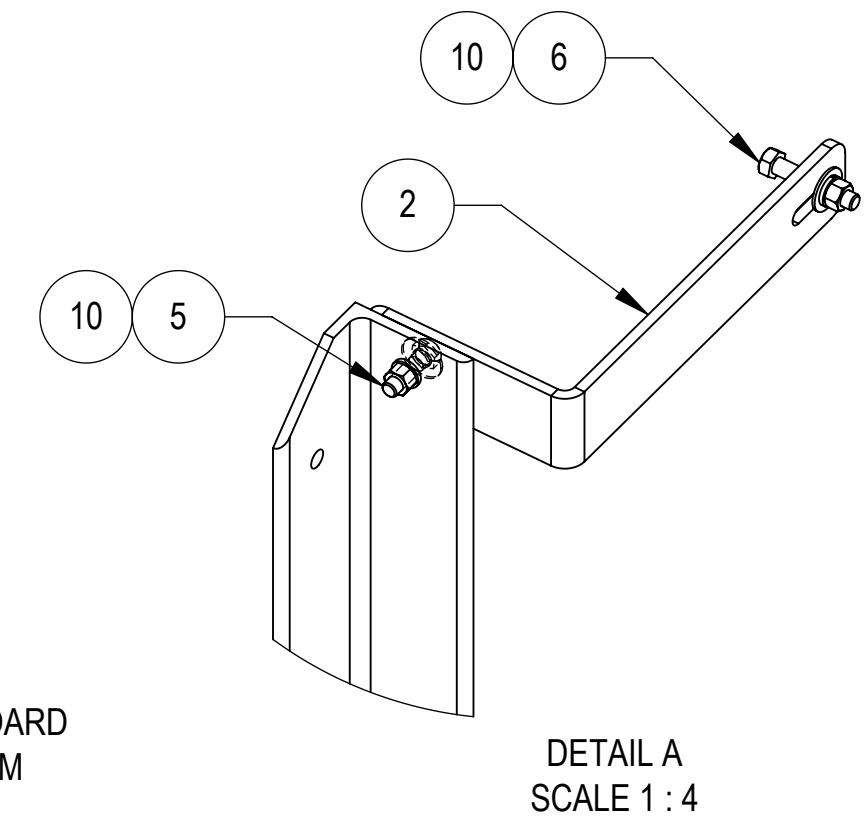
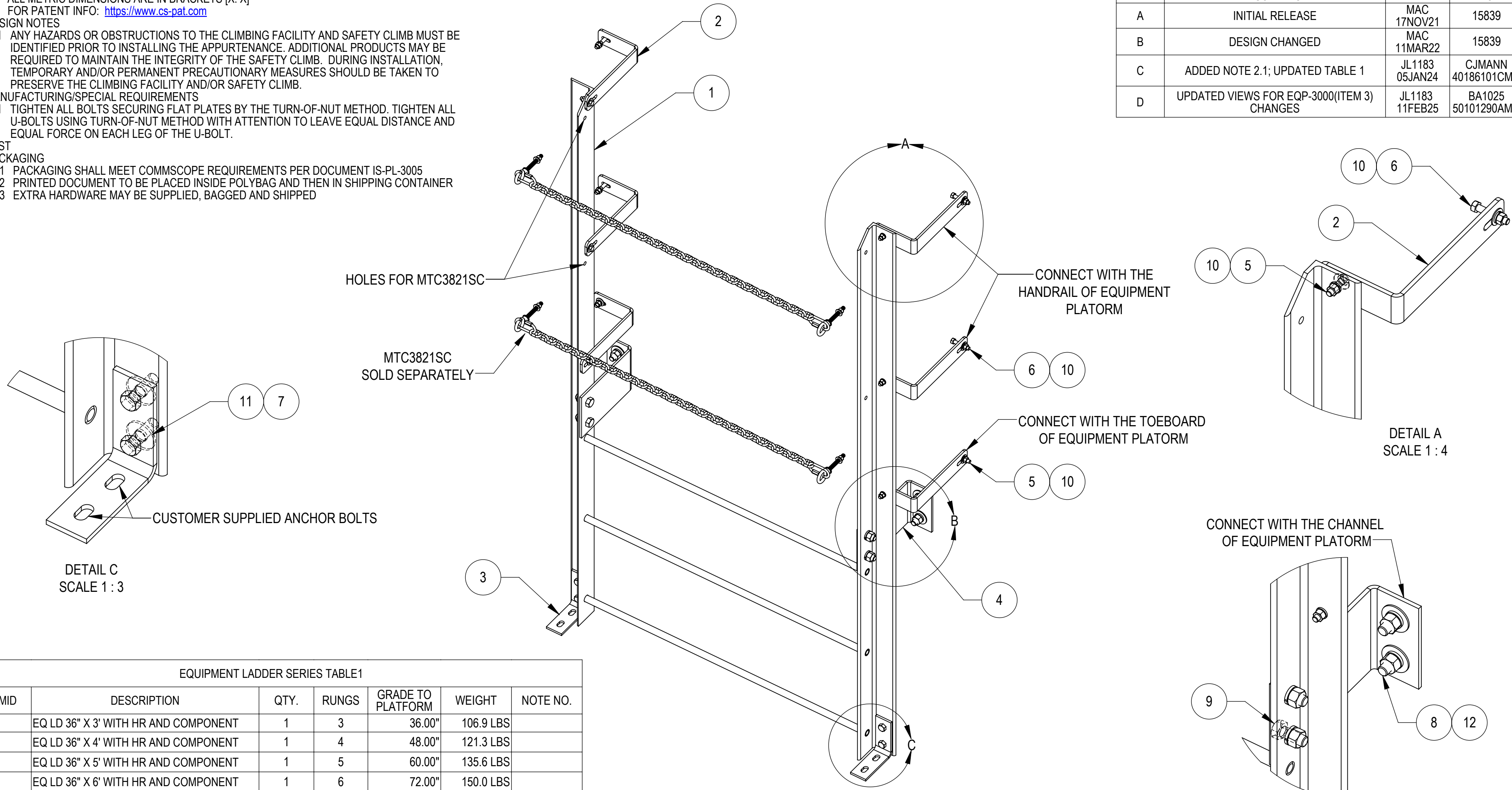


- 1.0 GENERAL NOTES  
 1.1 ALL METRIC DIMENSIONS ARE IN BRACKETS [X. X]  
 1.2 FOR PATENT INFO: <https://www.cs-pat.com>
- 2.0 DESIGN NOTES  
 2.1 ANY HAZARDS OR OBSTRUCTIONS TO THE CLIMBING FACILITY AND SAFETY CLIMB MUST BE IDENTIFIED PRIOR TO INSTALLING THE APPURTENANCE. ADDITIONAL PRODUCTS MAY BE REQUIRED TO MAINTAIN THE INTEGRITY OF THE SAFETY CLIMB. DURING INSTALLATION, TEMPORARY AND/OR PERMANENT PRECAUTIONARY MEASURES SHOULD BE TAKEN TO PRESERVE THE CLIMBING FACILITY AND/OR SAFETY CLIMB.
- 3.0 MANUFACTURING/SPECIAL REQUIREMENTS  
 3.1 TIGHTEN ALL BOLTS SECURING FLAT PLATES BY THE TURN-OF-NUT METHOD. TIGHTEN ALL U-BOLTS USING TURN-OF-NUT METHOD WITH ATTENTION TO LEAVE EQUAL DISTANCE AND EQUAL FORCE ON EACH LEG OF THE U-BOLT.
- 4.0 TEST
- 5.0 PACKAGING  
 5.1 PACKAGING SHALL MEET COMMSCOPE REQUIREMENTS PER DOCUMENT IS-PL-3005  
 5.2 PRINTED DOCUMENT TO BE PLACED INSIDE POLYBAG AND THEN IN SHIPPING CONTAINER  
 5.3 EXTRA HARDWARE MAY BE SUPPLIED, BAGGED AND SHIPPED

REVISIONS			
REV.	DESCRIPTION	DATE	APPROVED
A	INITIAL RELEASE	MAC 17NOV21	15839
B	DESIGN CHANGED	MAC 11MAR22	15839
C	ADDED NOTE 2.1; UPDATED TABLE 1	JL1183 05JAN24	CJMANN 40186101CMO
D	UPDATED VIEWS FOR EQP-3000(ITEM 3) CHANGES	JL1183 11FEB25	BA1025 50101290AMO



TOP MID	DESCRIPTION	QTY.	RUNGS	GRADE TO PLATFORM	WEIGHT	NOTE NO.
EQ-LD3	EQ LD 36" X 3' WITH HR AND COMPONENT	1	3	36.00"	106.9 LBS	
EQ-LD4	EQ LD 36" X 4' WITH HR AND COMPONENT	1	4	48.00"	121.3 LBS	
EQ-LD5	EQ LD 36" X 5' WITH HR AND COMPONENT	1	5	60.00"	135.6 LBS	
EQ-LD6	EQ LD 36" X 6' WITH HR AND COMPONENT	1	6	72.00"	150.0 LBS	
EQ-LD7	EQ LD 36" X 7' WITH HR AND COMPONENT	1	7	84.00"	164.3 LBS	
EQ-LD8	EQ LD 36" X 8' WITH HR AND COMPONENT	1	8	96.00"	178.7 LBS	
EQ-LD9	EQ LD 36" X 9' WITH HR AND COMPONENT	1	9	108.00"	193.0 LBS	
EQ-LD10	EQ LD 36" X 10' WITH HR AND COMPONENT	1	10	120.00"	207.4 LBS	

EQ-LD3 SHOWN FOR REFERENCE

COMPONENT PART NUMBERS PROVIDED FOR ASSEMBLY PURPOSES;  
 INDIVIDUAL COMPONENTS MAY BE SHIPPED AS PARTS WITHIN AN INCLUDED KIT

ITEM	PART NO.	DESCRIPTION	QTY.	WEIGHT	NOTE NO.
1	EQPLD-1000	WELDMENT, LADDER	1	76.54 LBS	PART NO. SEE INDIVIDUAL DRAWING
2	EQP-1000	HANDRAIL SPACE	6	2.01 LBS	
3	EQP-3000	ANGLE,LADDER	2	1.25 LBS	
4	EQP-5000	ANGLED BRACKET	2	5.22 LBS	
5	GB-03125	3/8" X 1-1/4" GALV BOLT KIT	8	0.06 LBS	
6	GB-03205	3/8" X 2" GALV BOLT KIT	4	0.08 LBS	
7	GB-04145	1/2" X 1-1/2" GALV BOLT KIT	4	0.13 LBS	
8	GB-05205	5/8" X 2" GALV BOLT KIT	4	0.26 LBS	
9	GB-05145	5/8" X 1-1/2" GALV BOLT KIT	4	0.22 LBS	
10	GWF-03	3/8" GALV FLAT WASHER	12	0.01 LBS	
11	GWF-04	1/2" GALV FLAT WASHER	4	0.04 LBS	
12	GWF-05	5/8" GALV FLAT WASHER, 1.7OD	8	0.06 LBS	

**COMMSCOPE, INC. OF NORTH CAROLINA**

TOLERANCES  
 1 PLACE .X[X] ± 0.25[6.3]    3 PLACE .XXX[X] ± 0.06[1.5]  
 2 PLACE .XX[X] ± 0.12[3.0]    ANGLES ± 2°

SAP MATERIAL MASTER  
**SEE TABLE 1**

FINISH: \_\_\_\_\_ MATERIAL: \_\_\_\_\_

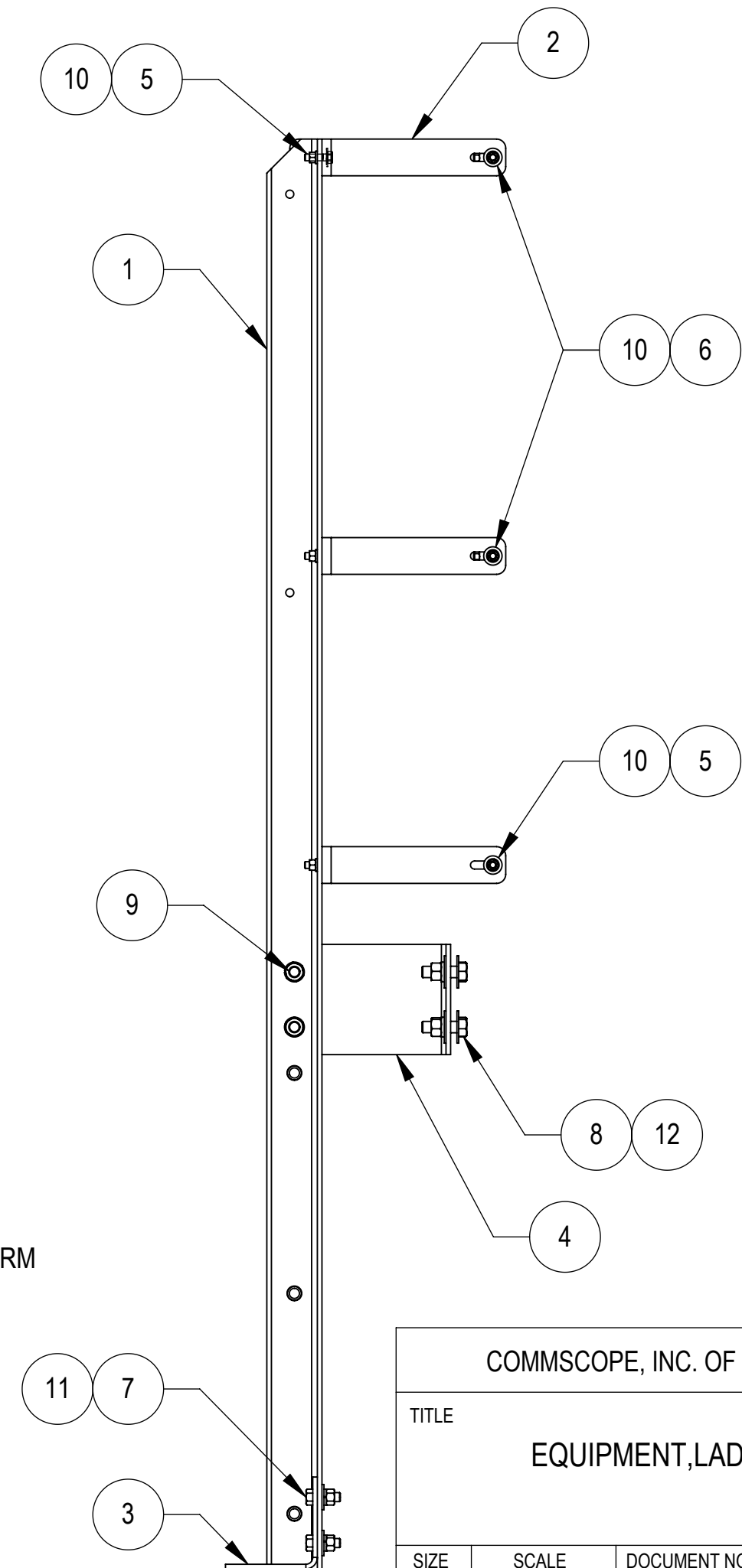
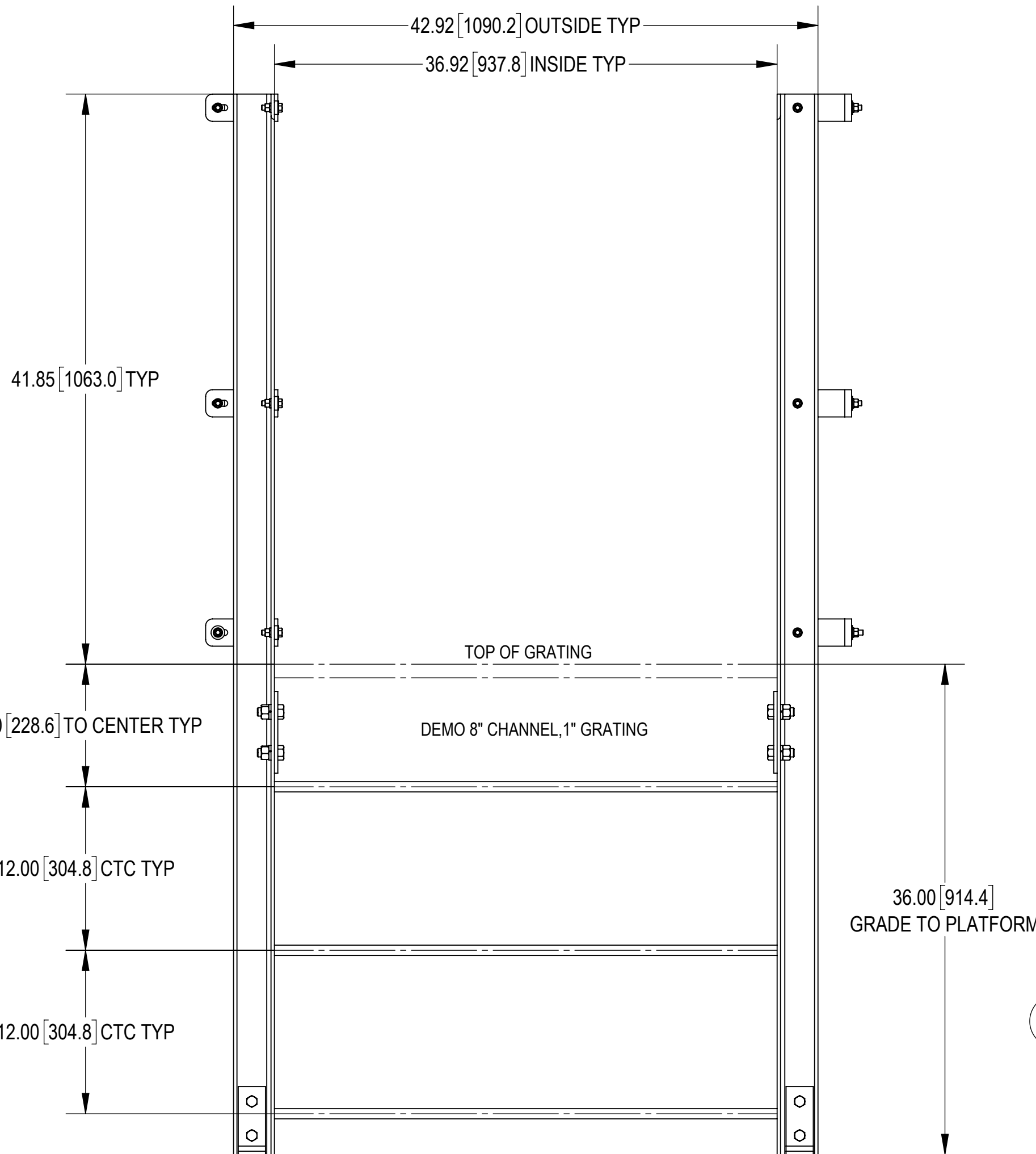
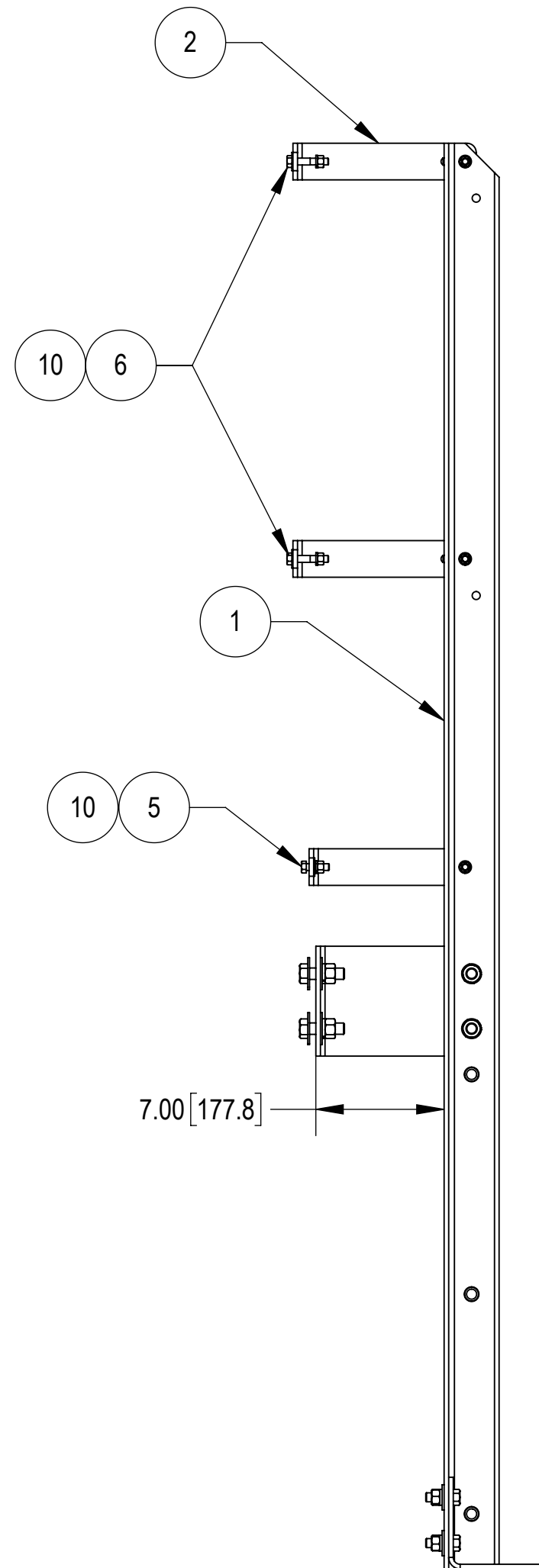
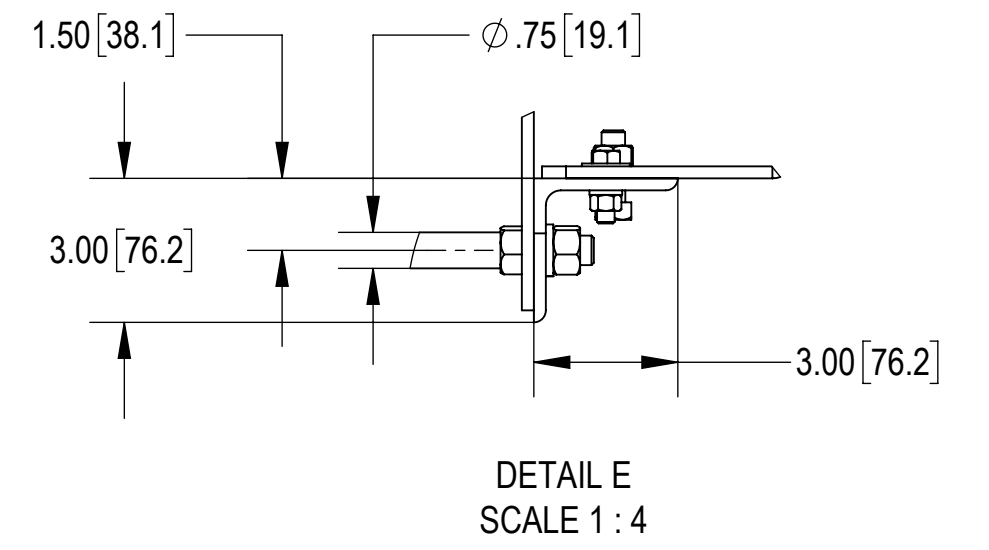
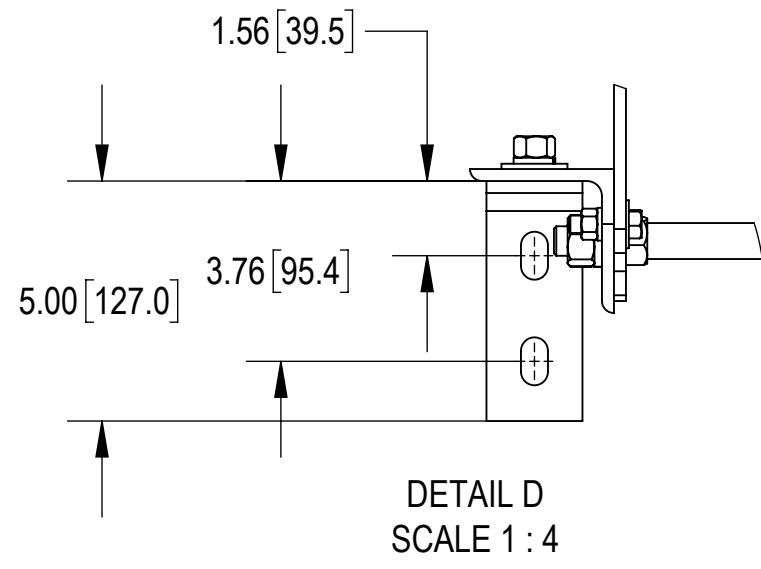
NAME	DATE	TITLE
CE MAC	11/17/2021	EQUIPMENT,LADDER SERIES
RW JL1183	02/12/2025	
AD BA1025	02/18/2025	
RE YMENG	02/20/2025	

SCALE: **1:8** DOCUMENT NO.: **EQ-LD SERIES**

ECN 50101290AMO

SIZE	Auth Group	INSL	MODEL	DRAWING			SHEET		
<b>C</b>			VERSION 04	STATUS RE	REVISION D	VERSION 03	STATUS RE	REVISION D	1 OF 2

DENSITY	lbs/in <sup>3</sup>
MASS	lbs
VOLUME	in <sup>3</sup>
SURFACE AREA	in <sup>2</sup>
HEIGHT	
LENGTH	
WIDTH	



EQ-LD3 SHOWN FOR REFERENCE

COMMSCOPE, INC. OF NORTH CAROLINA				
TITLE EQUIPMENT, LADDER SERIES				
SIZE C	SCALE 1:8	DOCUMENT NO. EQ-LD SERIES		
		DRAWING		SHEET
		VERSION 03	STATUS RE	REVISION D
				2 OF 2