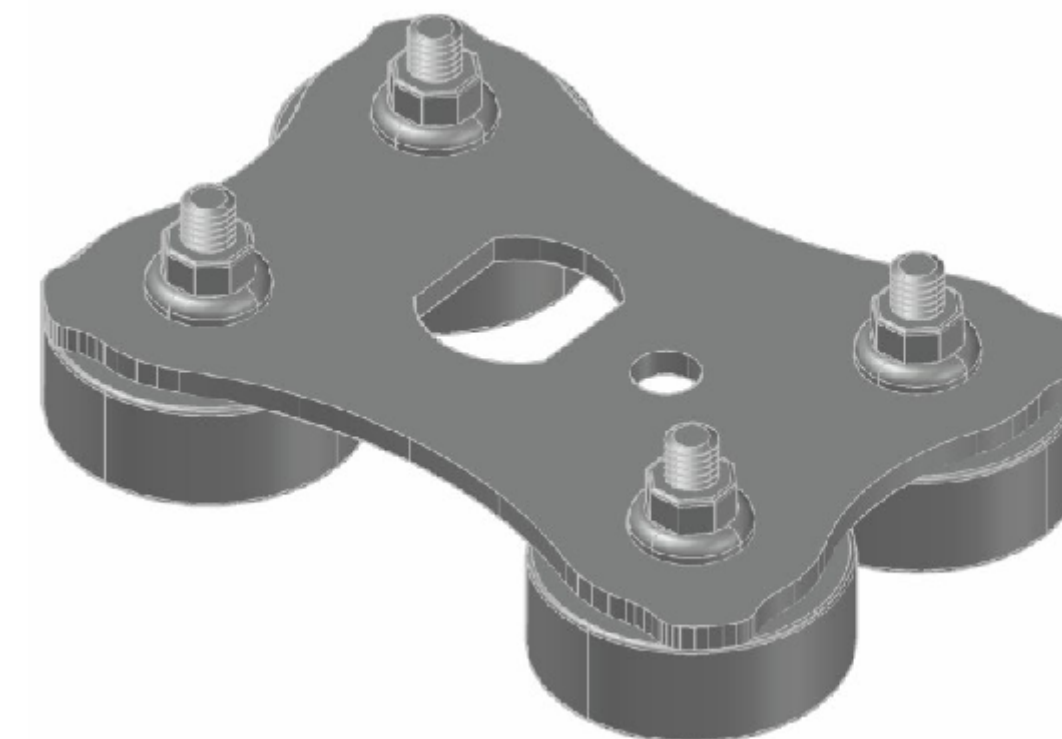
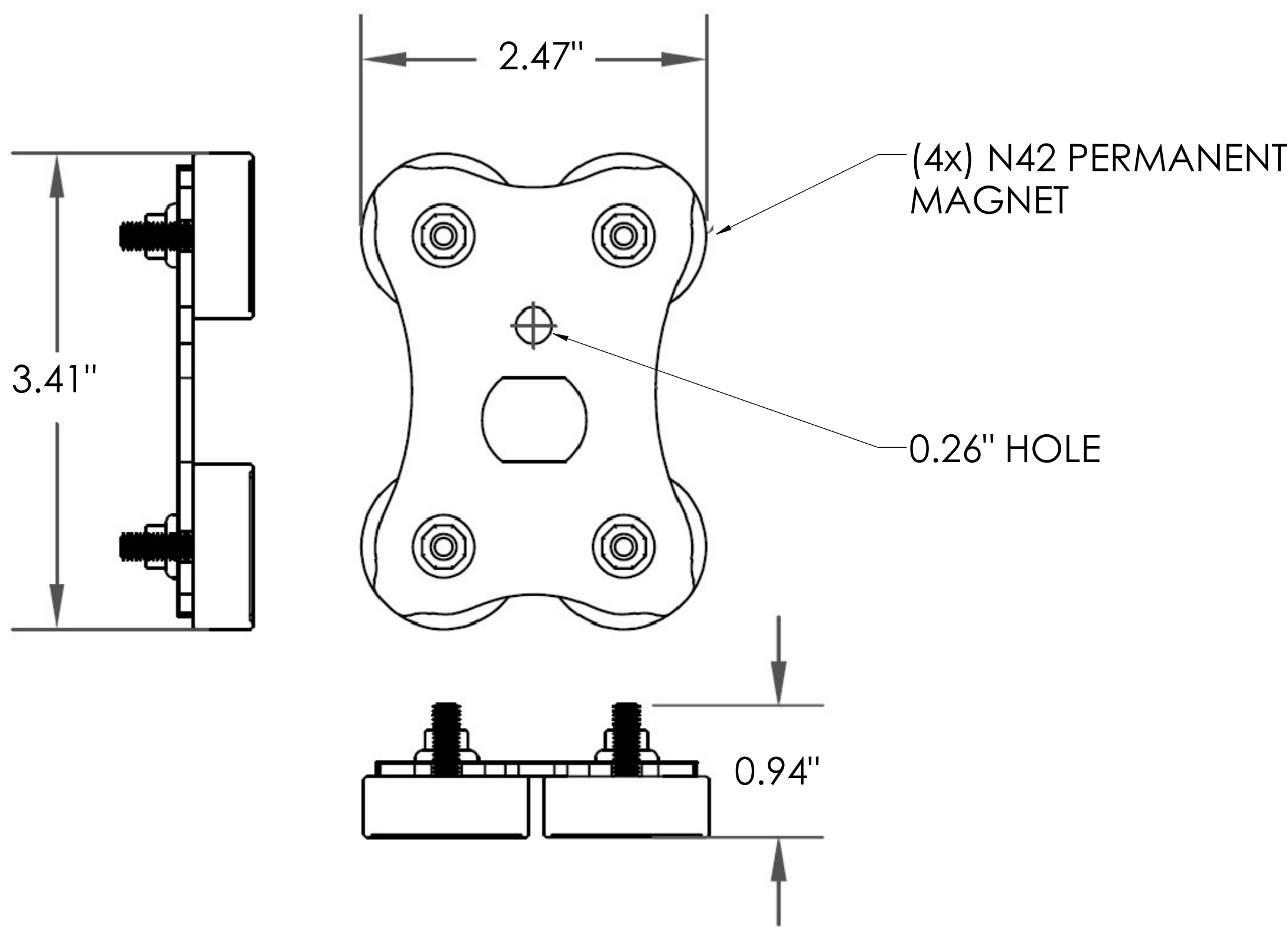


REVISIONS			
REV.	DESCRIPTION	BY	DATE
A	INITIAL RELEASE	MJP	11/17/23



TOLERANCES		SAP MATERIAL MASTER	
1 PLACE .X ± SEE NOTE 1 3 PLACE .XXX ±			
2 PLACE .XX ±		ANGLES ±	
FINISH		MATERIAL	
UNLESS OTHERWISE SPECIFIED DIMENSIONS ARE IN INCHES INTERPRET PER ANSI Y 14.5M-1994	NAME	DATE	TITLE
	CE		Talon-MINI
	RW		
	AD		
	RE		
ECN		SCALE	DOCUMENT NO.
		<b>1:42</b>	T1M-04-N
SIZE	Auth Group	MODEL	
<b>C</b>		VERSION	DRAWING
		STATUS	REVISION
		REVISION	VERSION
		STATUS	REVISION
		REVISION	STATUS
		REVISION	STATUS
			SHEET
			1 OF 1

DENSITY	lbs/in <sup>3</sup>
MASS	lbs
VOLUME	in <sup>3</sup>
SURFACE AREA	in <sup>2</sup>
HEIGHT	
LENGTH	
WIDTH	