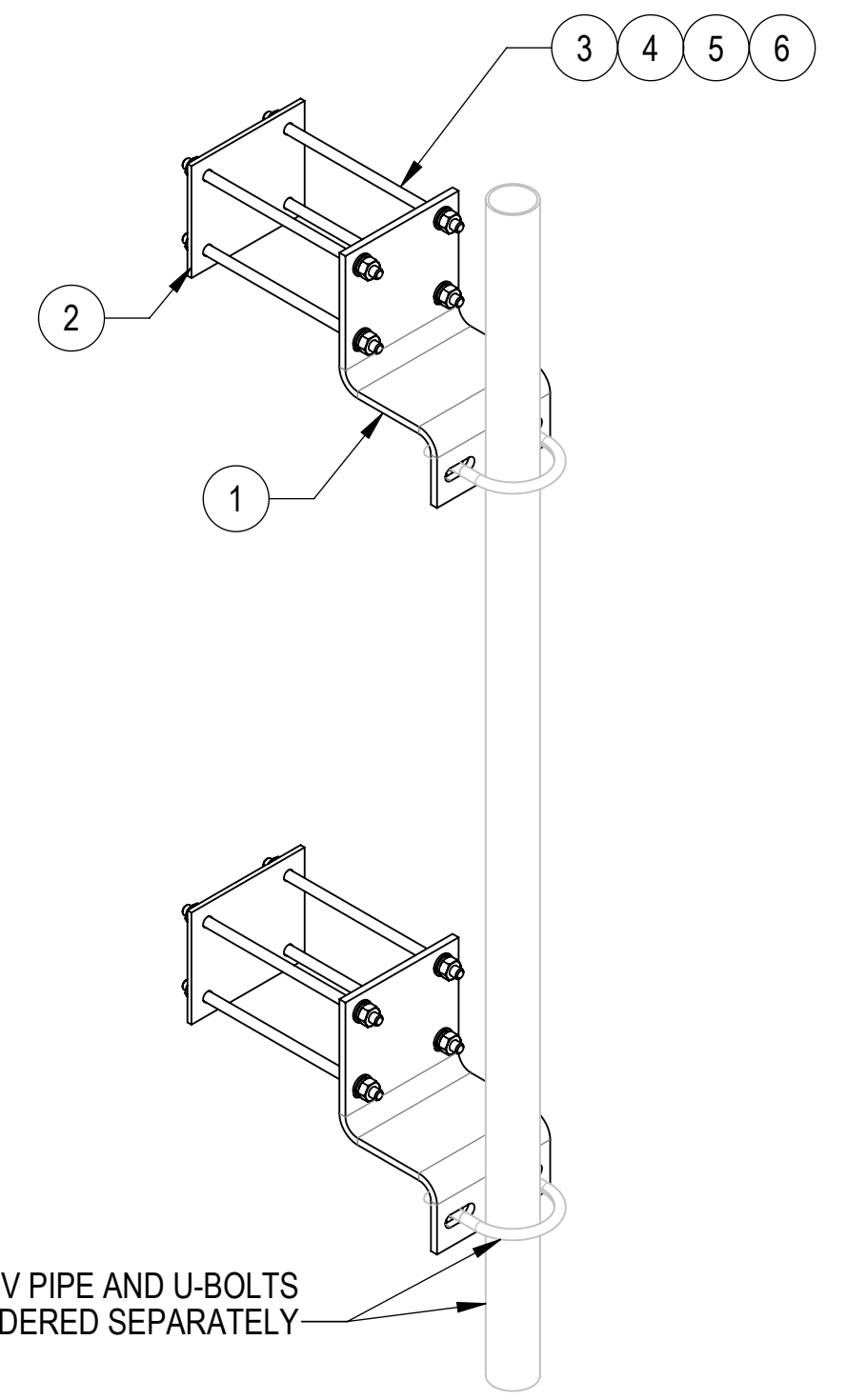
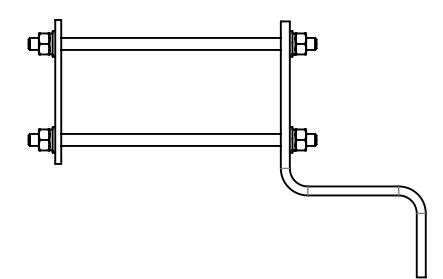
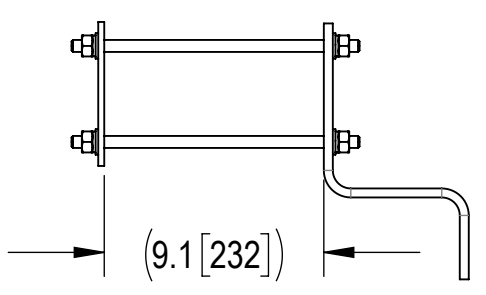
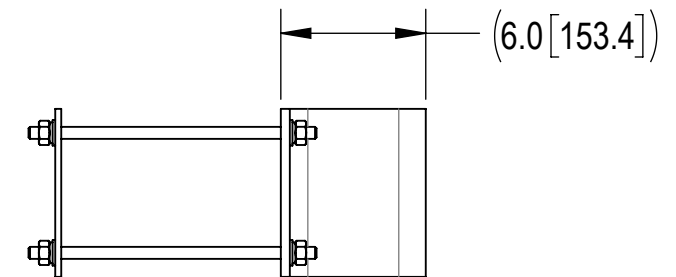
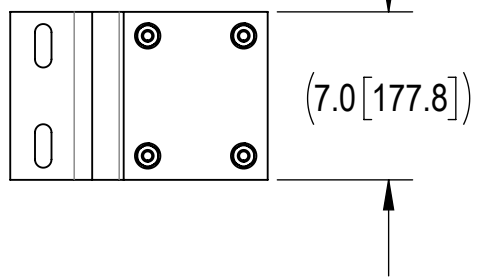
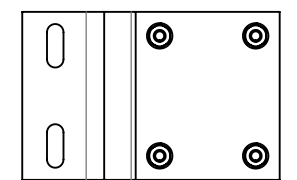
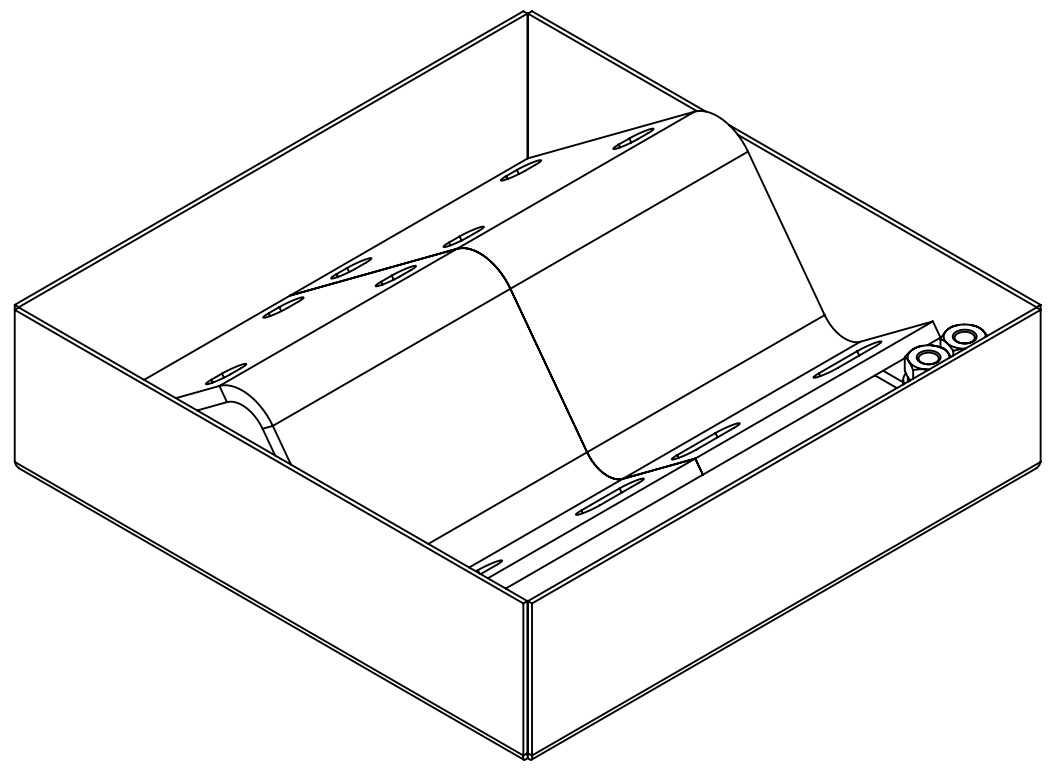


- 1.0 GENERAL NOTES
  - 1.1 ALL METRIC DIMENSIONS ARE IN BRACKETS [X. X]
  - 1.2 FOR PATENT INFO: <https://www.adwpat.com>
- 2.0 DESIGN NOTES
- 3.0 MANUFACTURING/SPECIAL REQUIREMENTS
  - 3.1 TIGHTEN ALL BOLTS SECURING FLAT PLATES BY THE TURN-OF-NUT METHOD. TIGHTEN ALL U-BOLTS USING TURN-OF-NUT METHOD WITH ATTENTION TO LEAVE EQUAL DISTANCE AND EQUAL FORCE ON EACH LEG OF THE U-BOLT.
- 4.0 TEST
- 5.0 PACKAGING
  - 5.1 PACKAGING SHALL MEET ANDREW REQUIREMENTS PER DOCUMENT IS-PL-3005
  - 5.2 PRINTED DOCUMENT TO BE PLACED INSIDE POLYBAG AND THEN IN SHIPPING CONTAINER
  - 5.3 EXTRA HARDWARE MAY BE SUPPLIED, BAGGED AND SHIPPED


REVISIONS			
REV.	DESCRIPTION	DATE	APPROVED
B	REVISED & REDRAWN	JTS 12APR01	
C	REDRAWN IN SOLIDWORKS	ACG 06SEP06	
D	REDESIGN ITEMS 1 & 2	MSM 27FEB08	
E	CHG BOM IN DRAWING; ADD PACK	CEB 17MAY16	8000014164
F	UPDATED DRAWING FORMAT TO NEW	JJ1095 05NOV25	BA1025 50105693AMO



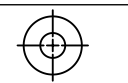
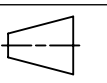
GALV PIPE AND U-BOLTS ORDERED SEPARATELY



PACKAGE



# ANDREW<sup>®</sup> an Amphenol company

TOLERANCES		SAP MATERIAL MASTER	
1 PLACE .X[X] ± 0.2[6.3]	3 PLACE .XXX[X] ± 0.060[1.5]	<b>MT-221</b>	
2 PLACE .XX[X] ± 0.12[3.0]	ANGLES ± 2°		
FINISH		MATERIAL	
UNLESS OTHERWISE SPECIFIED DIMENSIONS ARE IN INCHES INTERPRET PER ANSI Y 14.5M-1994	NAME	DATE	TITLE
	CE ACG	09/06/2006	<b>6" ADJUSTABLE HOLLOW WALL MOUNT</b>
	RW JJ1095	11/17/2025	
	AD YMENG	11/18/2025	SCALE
	RE YMENG	11/18/2025	DOCUMENT NO.
ECN 50105693AMO		<b>MT-221</b>	
SIZE	Auth Group	INSL	MODEL
C	 		VERSION
			STATUS
		REVISION	DRAWING
		00	VERSION
		RE	STATUS
		E	REVISION
		01	01
		RE	F
			SHEET
			1 OF 1

COMPONENT PART NUMBERS PROVIDED FOR ASSEMBLY PURPOSES; INDIVIDUAL COMPONENTS MAY BE SHIPPED AS PARTS WITHIN AN INCLUDED KIT.

ITEM	PART NO.	DESCRIPTION	QTY.	WEIGHT	NOTE NO.
1	MT22205	6" WALL MOUNT BRACKET	2	10.99 LBS	
2	MT22303	BACKING PLATE	2	2.89 LBS	
3	MT-379	1/2" X 12" GALV THREADED ROD	8	0.66 LBS	
4	GWFO4A	1/2" GALV FLAT WASHER (A325)	16	0.02 LBS	
5	GN-04A	1/2" GALV HEX NUT (A194 2H)	16	0.07 LBS	
6	GWL-04	1/2" GALV LOCK WASHER	16	0.01 LBS	

DENSITY		lbs/in <sup>3</sup>
MASS	34.97	lbs
VOLUME	178.97	in <sup>3</sup>
SURFACE AREA	895.04	in <sup>2</sup>
HEIGHT	16.5"	
LENGTH	20.1"	
WIDTH	7.0"	

Confidential